

*Gestetner* **LANIER** **RICOH** **SAVIN**



**B125**  
**SERVICE MANUAL**

001911MIU

RICOH GROUP COMPANIES

# B125

## TABLE OF CONTENTS

### INSTALLATION

---

<b>1. INSTALLATION PROCEDURE.....</b>	<b>1-1</b>
1.1 PREPARATION.....	1-1
1.1.1 ENVIRONMENT.....	1-1
1.1.2 MINIMUM SPACE REQUIREMENTS.....	1-2
1.1.3 MACHINE LEVEL.....	1-2
1.1.4 POWER SOURCE.....	1-3
1.1.5 INSTALLATION OVERVIEW.....	1-4
Installation Flow.....	1-4
SP and User Tool Settings Required for Installation.....	1-5
1.2 COPIER INSTALLATION.....	1-6
1.2.1 ACCESSORY CHECK.....	1-6
1.2.2 COPIER PRE-INSTALLATION PROCEDURE.....	1-7
Removing the Shipping Material.....	1-7
Set the Operation Panel Position.....	1-8
Setting the Copier on the Roll Feeder or Table.....	1-9
Leveling the Copier and Attaching Leg Covers.....	1-12
Developer.....	1-14
Toner Cartridge and ID Sensor Initialization.....	1-16
1.2.3 INSTALLATION SP SETTINGS.....	1-18
Using the SP Mode.....	1-18
SP1960: Optional Paper Settings.....	1-19
SP1920: Cut Length Adjustment (for Roll Feeder).....	1-19
Select the Paper Size and Type with User Tools.....	1-20
Select "Architecture" or "Engineering" (NA Only).....	1-20
SP4960 015, 003 Enable and Format the HDD.....	1-21
SP5137 Stamp Function On/Off.....	1-21
1.2.4 COPIER FINAL INSTALLATION PROCEDURE.....	1-22
Copy Trays, Guides, Original Exit Selection Lever.....	1-22
Copy Check.....	1-23
1.2.5 MOVING THE COPIER.....	1-23
1.3 ROLL FEEDER INSTALLATION.....	1-24
1.3.1 ACCESSORY CHECK.....	1-24
1.3.2 ROLL FEEDER INSTALLATION PROCEDURE.....	1-25
Setting the Copier on the Roll Feeder.....	1-25
Leveling the Copier and Attaching Leg Covers.....	1-25
Opening the Roll Feeder and Removing Shipping Material.....	1-25
Attaching the Swinging Guide Plates.....	1-26
Connecting the Copier and Roll Feeder.....	1-27
Attach the Mylars to the Copier.....	1-30
Attach the Mylars to the Back of the Roll Feeder.....	1-31
Installing the Paper Rolls.....	1-31

1.4	PAPER CASSETTE INSTALLATION .....	1-32
1.4.1	ACCESSORY CHECK.....	1-32
1.4.2	PAPER CASSETTE INSTALLATION PROCEDURE .....	1-33
1.5	HDD INSTALLATION .....	1-35
1.5.1	ACCESSORY CHECK.....	1-35
1.5.2	HDD INSTALLATION PROCEDURE.....	1-36
1.6	INTERFACE BOARD INSTALLATION .....	1-39
1.6.1	ACCESSORY CHECK.....	1-39
1.6.2	INTERFACE UNIT INSTALLATION PROCEDURE.....	1-40
1.7	STAMP BOARD INSTALLATION .....	1-44
1.7.1	ACCESSORY CHECK.....	1-44
1.7.2	STAMP BOARD INSTALLATION PROCEDURE .....	1-44
1.8	TABLE INSTALLATION.....	1-45
1.8.1	TABLE ACCESSORY CHECK .....	1-45
1.8.2	TABLE INSTALLATION PROCEDURE .....	1-46
	Setting the Copier on the Table .....	1-46
	Leveling the Copier and Attaching Leg Covers .....	1-46
	Attaching the Guide Plate .....	1-46
	Connecting the Copier and Table .....	1-47
	Attach the Mylars to the Copier.....	1-48
	Attach the Mylars to the Back of the Table .....	1-49
	Attaching the Stopper Bracket .....	1-50

## **PREVENTIVE MAINTENANCE**

---

<b>2.</b>	<b>PREVENTIVE MAINTENANCE.....</b>	<b>2-1</b>
2.1	PM TABLE.....	2-1
2.1.1	COPIER (B125) .....	2-1
2.1.2	ROLL FEEDER (B641/B642).....	2-3
2.1.3	PAPER CASSETTE (B643).....	2-3
2.2	CLEANING THE ENTRANCE SPURS .....	2-4
2.3	LUBRICATION POINTS .....	2-5
2.3.1	DEVELOPMENT SECTION.....	2-5
2.3.2	FUSING GEARS.....	2-6

## **REPLACEMENT AND ADJUSTMENT**

---

<b>3.</b>	<b>REPLACEMENT AND ADJUSTMENT .....</b>	<b>3-1</b>
3.1	COMMON PROCEDURES.....	3-1
3.1.1	BEFORE WORKING ON THE MACHINE .....	3-1
3.1.2	SIDE COVERS .....	3-2
3.1.3	REAR COVER .....	3-3
3.1.4	PAPER EXIT UNIT .....	3-4
3.1.5	UNLOCKING, RAISING THE ORIGINAL UNIT .....	3-5
3.1.6	REMOVING THE ORIGINAL FEED UNIT .....	3-6
3.1.7	RAISING AND LOCKING THE SCANNER UNIT .....	3-7
3.1.8	TONER HOPPER COVER .....	3-8

3.1.9	IDLE REGISTRATION ROLLER PANEL.....	3-9
3.1.10	MANUAL FEED TABLE, ORIGINAL FEED SENSOR COVER ....	3-10
3.1.11	DRAWER FRONT COVER.....	3-11
3.2	SCANNER.....	3-12
3.2.1	ORIGINAL WIDTH SENSORS, ORIGINAL SET SENSOR, SCANNER SWITCH.....	3-12
3.2.2	ORIGINAL FEED UNIT ROLLERS.....	3-13
3.2.3	EXPOSURE GLASS.....	3-15
3.2.4	CIS.....	3-16
3.2.5	SMDB, VDB.....	3-17
3.2.6	SIB, CGB POWER PACK.....	3-18
3.3	AROUND THE DRUM.....	3-19
3.3.1	CHARGE CORONA WIRE, GRID WIRE, WIRE CLEANER.....	3-19
3.3.2	QUENCHING LAMPS.....	3-21
3.3.3	LPH (LED PRINT HEAD).....	3-22
3.3.4	TRANSFER CORONA, SEPARATION CORONA WIRES.....	3-24
3.4	DEVELOPMENT.....	3-26
3.4.1	DEVELOPMENT UNIT.....	3-26
3.4.2	DEVELOPER.....	3-27
3.4.3	PAPER SET SENSOR, REGISTRATION SENSOR.....	3-30
3.4.4	TONER SUPPLY CLUTCH.....	3-31
3.4.5	DEVELOPMENT FILTER.....	3-32
3.4.6	USED TONER COLLECTION BOTTLE, TONER OVERFLOW SENSOR.....	3-33
3.5	DRUM.....	3-34
3.5.1	DRUM UNIT.....	3-34
3.5.2	ECLEANING BLADE.....	3-36
3.5.3	ID SENSOR, PICK-OFF PAWLS, PICK-OFF PAWL SOLENOID...	3-37
3.6	PAPER FEED.....	3-38
3.6.1	REGISTRATION CLUTCH, REGISTRATION ROLLER.....	3-38
3.6.2	ROLL 1 PAPER FEED CLUTCH, FEED ROLLER.....	3-41
3.6.3	ROLL 2 PAPER CLUTCH, FEED ROLLER.....	3-42
3.6.4	RF EXIT SENSOR.....	3-43
3.6.5	ROLL FEED MOTOR.....	3-44
3.6.6	CUTTER: MOTOR, HP SENSORS.....	3-45
3.6.7	ROLL PAPER END SENSORS.....	3-47
3.6.8	CASSETTE FEED ROLLER.....	3-48
3.6.9	CASSETTE RELAY SENSOR, CASSETTE END SENSOR.....	3-49
3.6.10	CASSETTE FEED MOTOR, CASSETTE OPEN SENSOR.....	3-50
3.6.11	CASSETTE FEED CLUTCH.....	3-51
3.7	FUSING SECTION.....	3-52
3.7.1	PRESSURE SPRING ADJUSTMENT.....	3-52
3.7.2	HOT ROLLER STRIPPERS.....	3-53
3.7.3	PRESSURE ROLLER STRIPPERS.....	3-53
3.7.4	PRESSURE ROLLER THERMISTOR, FUSING EXIT SENSOR ...	3-54
3.7.5	FUSING UNIT.....	3-55
3.7.6	FUSING CLEANING ROLLER.....	3-56
3.7.7	FUSING LAMP.....	3-57
3.7.8	HOT ROLLER.....	3-58

3.7.9	PRESSURE ROLLER.....	3-59
3.7.10	HOT ROLLER THERMISTOR, THERMOSTATS .....	3-60
3.8	MOTORS.....	3-61
3.8.1	SCANNER MOTOR.....	3-61
3.8.2	DRUM MOTOR .....	3-62
3.8.3	FUSING MOTOR, MAIN MOTOR .....	3-63
3.8.4	USED TONER BOTTLE MOTOR.....	3-66
3.9	BOARDS .....	3-67
3.9.1	MCU/IPU .....	3-67
3.9.2	PSU .....	3-69
3.9.3	NVRAM.....	3-70
NVRAM Upload .....	3-70	
NVRAM Removal.....	3-71	
NVRAM Download.....	3-71	
3.9.4	T&S POWER PACK .....	3-72
3.9.5	RFDB (ROLL FEEDER DRIVE BOARD).....	3-73
3.9.6	SFDB (SHEET FEED DRIVE BOARD).....	3-74
3.10	OTHER.....	3-75
3.10.1	HDD REPLACEMENT .....	3-75
3.10.2	COOLING FAN, OZONE FILTER.....	3-77
3.11	SP ADJUSTMENTS .....	3-78
3.11.1	IMAGE ADJUSTMENT .....	3-78
Step 1: Check the Registration Line Speed .....	3-78	
Step 2: Magnification for Paper Type: Plain.....	3-78	
Step 3: Scanning Magnification .....	3-79	
Step 4: Magnification for Paper Type: Translucent.....	3-79	
Step 5: Magnification for Paper Type: Film .....	3-79	
Step 6: Scanner Mask Setting .....	3-80	
Step 7: Erase Margins .....	3-80	
Step 8: Printer: Leading Edge, Side-to-Side Registration .....	3-80	
Step 9: Scanner Mask Setting .....	3-81	
Step 10: Erase Margins .....	3-81	
Step 11: Scanner Registration.....	3-81	
Step 12: Printer: Cut Length .....	3-82	
Step 13: Synchro Cut (Trailing Edge Registration) .....	3-83	
3.11.2	CIS.....	3-84
To Print the CIS Adjustment Pattern.....	3-84	
To Adjust the Image at the CIS Joints.....	3-85	
3.11.3	LPH.....	3-87
Doing SP Adjustment Settings for a Replacement LPH.....	3-87	
To Print Pattern IPU Test Pattern 51 .....	3-87	
Main Scan Adjustment: White, Black Vertical Lines.....	3-88	
Main Scan Adjustment: LED Light Level at LPH Joints.....	3-89	
To Adjust the LPH for Misalignment.....	3-90	
3.11.4	LPH DENSITY .....	3-91
To Print the R-10 Pattern 51 .....	3-91	
To Correct Pattern Density .....	3-91	

# TROUBLESHOOTING

---

<b>4. TROUBLESHOOTING .....</b>	<b>4-1</b>
4.1 SERVICE CALL CONDITIONS .....	4-1
4.1.1 SUMMARY .....	4-1
4.2 SC CODE DESCRIPTIONS .....	4-2
4.2.1 SC1XXX .....	4-2
4.2.2 SC2XXX .....	4-2
4.2.3 SC3XXX .....	4-2
4.2.4 SC4XXX .....	4-5
4.2.5 SC5XXX .....	4-6
4.2.6 SC6XXX .....	4-11
4.2.7 SC7XXX .....	4-13
4.2.8 SC8XXX .....	4-13
4.2.9 SC9XXX .....	4-13
4.3 JAM CODE TABLES .....	4-15
4.3.1 COPIER JAM TABLES .....	4-15
4.3.2 SCANNER JAM TABLES .....	4-17
Scanner Ready Check Jams .....	4-17
4.4 COVER OPEN.....	4-19
4.5 BLOWN FUSE TABLE .....	4-19
4.6 IMAGE DATA PROCESSING FLOW CHART .....	4-20
4.6.1 DATA FLOW IN 1-TO-1 COPY MODE .....	4-20
4.6.2 DATA FLOW IN REPEAT COPY MODE .....	4-20
4.6.3 DATA FLOW IN SCANNING MODE.....	4-21
4.6.4 DATA FLOW IN PRINTING MODE (STANDARD SIZES).....	4-21
4.6.5 DATA FLOW IN PRINTING MODE (LONG).....	4-22
4.6.6 DATA FLOW IN TEST PATTERN PRINTING .....	4-22
4.6.7 IMAGE PROBLEM TROUBLESHOOTING.....	4-23
4.6.8 FLOW CHART .....	4-23
4.6.9 SCANNING.....	4-24
4.6.10 PRINTING .....	4-26
4.6.11 BOARD LEDS .....	4-27
IPU LEDs.....	4-28
MCU LEDs.....	4-29
VDB LEDs.....	4-29
SIB LEDs .....	4-29
PSU LEDs.....	4-30

## SERVICE TABLES

---

<b>5. SERVICE TABLES.....</b>	<b>5-1</b>
5.1 USING THE SP MODE .....	5-1
5.1.1 DIRECT ENTRY .....	5-1
Normal Direct Entry.....	5-1
Rapid Direct Entry.....	5-2
5.2 SOFTWARE UPGRADE .....	5-3
5.2.1 UPGRADING FIRMWARE .....	5-3

5.3	INITIAL SETTINGS .....	5-5
5.3.1	USER TOOLS .....	5-5
	System Settings .....	5-5
	Copier Features .....	5-8
5.4	PRINTING TEST PATTERNS .....	5-11
5.4.1	IMAGE PROCESSING TEST PATTERNS .....	5-11
5.4.2	IMAGE DATA PATH TEST PATTERNS .....	5-13
5.5	INPUT CHECK .....	5-14
5.6	OUTPUT CHECK .....	5-17
5.7	SP (SERVICE PROGRAM) MODE TABLES .....	5-19
	SP1-XXX Feed .....	5-19
	SP2-XXX Drum .....	5-28
	SP3-XXX Process Control .....	5-38
	SP4-XXX Scanner .....	5-39
	SP5-XXX Mode .....	5-49
	SP7-XXX Data Log .....	5-57
	SP8xxx Data Log 2 .....	5-71

## **DETAILED DESCRIPTIONS**

---

<b>6.</b>	<b>DETAILED DESCRIPTIONS .....</b>	<b>6-1</b>
6.1	OVERVIEW .....	6-1
6.1.1	MACHINE GENERAL LAYOUT .....	6-1
6.1.2	MECHANICAL COMPONENT LAYOUT .....	6-2
6.1.3	DRIVE LAYOUT .....	6-4
6.1.4	ORIGINAL/COPY PAPER PATHS .....	6-5
6.2	SCANNER .....	6-6
6.2.1	OVERVIEW .....	6-6
6.2.2	SCANNER LAYOUT .....	6-7
6.2.3	ORIGINAL WIDTH DETECTION .....	6-8
6.2.4	ORIGINAL DRIVE MECHANISM .....	6-9
6.2.5	ORIGINAL FEED SPEED .....	6-9
6.2.6	SCANNING MECHANISM .....	6-10
	CIS Structure .....	6-10
	Printed Image .....	6-10
6.2.7	AUTO IMAGE DENSITY CORRECTION .....	6-11
6.3	IMAGE PROCESSING .....	6-12
6.3.1	OVERVIEW .....	6-12
	Overall System .....	6-12
	IPU Board Details .....	6-13
6.3.2	GENERAL IMAGE PROCESSING FLOW CHART .....	6-14
6.3.3	ORIGINAL MODES .....	6-15
	Overview .....	6-15
	Text Mode .....	6-16
	Photo Mode .....	6-17
	Text/Photo Mode .....	6-18
	Pale Mode .....	6-19
	Generation .....	6-20



Drawing Mode.....	6-21
Background Lines Mode.....	6-22
Sharpen Text Mode.....	6-23
6.3.4 INDEPENDENT DOT ERASE.....	6-24
6.3.5 MTF SETTINGS.....	6-25
6.4 AROUND THE DRUM.....	6-26
6.4.1 OVERVIEW.....	6-26
6.4.2 DRUM DRIVE.....	6-27
6.4.3 CHARGE CORONA UNIT.....	6-28
6.4.4 CORONA WIRE CLEANING.....	6-29
6.4.5 DRUM CLEANING.....	6-30
6.4.6 COLLECTING USED TONER.....	6-31
6.4.7 QUENCHING.....	6-32
6.4.8 DRUM ANTI-CONDENSATION HEATERS.....	6-33
6.5 IMAGE WRITING MECHANISM.....	6-34
6.6 DEVELOPMENT.....	6-35
6.6.1 OVERVIEW.....	6-35
6.6.2 DEVELOPMENT DRIVE MECHANISM.....	6-36
6.6.3 TONER SUPPLY MECHANISM.....	6-37
6.6.4 DEVELOPER CROSS-MIXING.....	6-38
6.6.5 DEVELOPMENT BIAS.....	6-39
6.6.6 ID SENSOR.....	6-40
6.6.7 ID SENSOR OPERATION DURING MACHINE WARM-UP.....	6-41
6.6.8 TONER DENSITY CONTROL.....	6-43
Overview.....	6-43
Supply Modes.....	6-43
Detect Supply Mode.....	6-44
Fixed Supply Mode.....	6-45
Toner Supply Clutch Operation.....	6-45
6.6.9 TONER END/NEAR-END DETECTION.....	6-47
Toner Near End.....	6-47
Toner End.....	6-47
Toner End Recovery.....	6-47
Toner End Recovery Flow Chart.....	6-48
6.7 PAPER FEED AND REGISTRATION.....	6-49
6.7.1 OVERVIEW.....	6-49
Layout Diagrams.....	6-49
Feed Station Overview.....	6-51
Manual Feed Table.....	6-51
Roll Feeder.....	6-51
Paper Cassette.....	6-51
Paper Width and Media Type Settings.....	6-51
6.7.2 MANUAL FEED MECHANISM.....	6-52
6.7.3 ROLL FEED MECHANISM.....	6-53
Drive.....	6-53
Roll Pre-feeding.....	6-54
Procedure.....	6-55
6.7.4 ROLL FEEDER PAPER HOLDERS.....	6-56
6.7.5 ROLL PAPER CUTTING MECHANISM.....	6-57



6.7.6	ROLL END DETECTION .....	6-58
6.7.7	PAPER CASSETTE MECHANISM.....	6-59
6.7.8	PAPER CASSETTE FEED .....	6-60
	Cassette Paper Path.....	6-60
	Paper Cassette Pre-Feeding .....	6-61
6.7.9	PAPER CASSETTE PAPER END DETECTION .....	6-62
6.7.10	CONDENSATION PREVENTION.....	6-63
6.7.11	REGISTRATION.....	6-64
6.7.12	PAPER FEED TIMING CHART .....	6-65
6.8	IMAGE TRANSFER AND SEPARATION .....	6-66
6.8.1	OVERVIEW .....	6-66
	Transfer Corona Unit .....	6-66
	Separation Corona Unit .....	6-66
6.8.2	PICK-OFF PAWL OPERATION.....	6-67
6.9	FUSING UNIT.....	6-68
6.9.1	OVERVIEW .....	6-68
6.9.2	PAPER FEED THROUGH THE FUSING UNIT .....	6-69
6.9.3	FUSING PRESSURE CONTROL MECHANISM .....	6-70
6.9.4	TEMPERATURE CONTROL .....	6-71
	Zero-Cross Control Test .....	6-71
	Switching on the Fusing Lamp Power.....	6-71
	Fusing Warm-up Time .....	6-71
	Fusing Temperature Control .....	6-72
6.9.5	HOT ROLLER CLEANING .....	6-76
6.9.6	HOT ROLLER THERMISTORS AND THERMOSTATS .....	6-77
6.9.7	FUSING UNIT DRIVE MECHANISM.....	6-78
6.9.8	WRINKLE PREVENTION .....	6-79
	Motor Speed Control.....	6-79
	Inching Control.....	6-79
6.10	PAPER EXIT .....	6-80
6.10.1	OVERVIEW .....	6-80
	Upper Exit.....	6-80
	Rear Exit .....	6-80
	Jam Detection.....	6-80
6.10.2	SWITCHING THE PAPER EXIT .....	6-81
	Upper Exit.....	6-81
	Rear Exit.....	6-81
6.10.3	PAPER EXIT DRIVE.....	6-82
6.11	ELECTRICAL COMPONENTS.....	6-83
6.11.1	OVERVIEW .....	6-83
6.11.2	DESCRIPTIONS OF ELECTRICAL COMPONENTS .....	6-84
6.11.3	MCU, IPU .....	6-89
	MCU (Main Control Unit).....	6-89
	IPU (Image Processing Unit) .....	6-89
6.11.4	PSU .....	6-90
6.11.5	SMDB, VDB, SIB .....	6-91
	SMDB (Scanner Motor Drive Board).....	6-91
	VDB (Video Drive Board).....	6-91
	SIB (Scanner Interface Board).....	6-91

6.11.6 RFDB, SFDB .....	6-92
RFDB (Roll Feed Drive Board) .....	6-92
SFDB (Sheet Feed Drive Board) .....	6-92

## **SPECIFICATIONS**

---

<b>SPECIFICATIONS .....</b>	<b>7-1</b>
1. COPIER ENGINE .....	7-1
2. ROLL FEEDER B641/B642 .....	7-4
3. PAPER CASSETTE B643 .....	7-4
4. MACHINE CONFIGURATION .....	7-5

**INSTALLATION**


TAB  
POSITION 1

**PREVENTIVE MAINTENANCE**


TAB  
POSITION 2

**REPLACEMENT AND ADJUSTMENT**


TAB  
POSITION 3

**TROUBLESHOOTING**


TAB  
POSITION 4

**SERVICE TABLES**


TAB  
POSITION 5

**DETAILED DESCRIPTIONS**


TAB  
POSITION 6

**SPECIFICATIONS**


TAB  
POSITION 7


TAB  
POSITION 8

*Gestetner* **LANIER** **RICOH** **SAVIN**

SAMPLE PAGE ONLY  
ServiceManual-Ebook.com



# B125 PARTS CATALOG

RICOH GROUP COMPANIES

001912MIU

# B125 PARTS CATALOG

## TABLE OF CONTENTS

### B125 PARTS LOCATION AND LIST

<b>LOCATION OF UNIT .....</b>	<b>2</b>
1.EXTERIOR 1 (B125) .....	6
2.EXTERIOR 2 (B125) .....	8
3.OPERATION PANEL (B125) .....	10
4.SCANNER SECTION 1 (B125).....	12
5.SCANNER SECTION 2 (B125).....	14
6.SCANNER SECTION 3 (B125).....	16
7.PAPER REGISTRATION (B125).....	18
8.IMAGE PROCESSING (B125).....	20
9.DRUM SECTION (B125).....	22
10.DEVELOPMENT UNIT (B125).....	24
11.CHARGE & TRANSFER UNIT (B125).....	26
12.CHARGE CLEANING SECTION (B125).....	28
13.FUSING UNIT 1 (B125) .....	30
14.FUSING UNIT 2 (B125) .....	32
15.PAPER EXIT 1 (B125) .....	34
16.PAPER EXIT 2 (B125) .....	36
17.DRIVE SECTION (B125) .....	38
18.ELECTRICAL SECTION 1 (B125) .....	40
19.ELECTRICAL SECTION 2 (B125) .....	42

20.ELECTRICAL SECTION 3 (B125).....	44
21.FRAME (B125).....	46
22.MAIN CONTROL BOARD (B125).....	48
23.IPU BOARD (B125) .....	58
24.DECAL AND DOCUMENTS (B125) .....	72
25.SPECIAL TOOLS (B125).....	74

### B125 PARTS INDEX

<b>PARTS INDEX.....</b>	<b>2</b>
-------------------------	----------

### ROLL FEEDER TYPE 240A/B B641/B642 PARTS

#### LOCATION AND LIST

1.EXTERIOR (B641/B642) .....	2
2.ROLL PAPER HOLDER (B641/B642) .....	4
3.ROLL PAPER FEED 1 (B641/B642) .....	6
4.ROLL PAPER FEED 2 (B641/B642) .....	8
5.ROLL PAPER FEED 3 (B641/B642) .....	10
6.FRAME SECTION 1 (B641/B642) .....	12
7.FRAME SECTION 2 (B641/B642) .....	14
8.DECALS AND DOCUMENTS (B641/B642) .....	16

**ROLL FEEDER TYPE 240A/B B641/B642 PARTS INDEX PARTS INDEX ..... 2**

**PAPER CASSETTE TYPE 240 B643 PARTS LOCATION AND LIST**

1.CASSETTE 1 (B643)..... 2  
2.CASSETTE 2 (B643)..... 4  
3.CASSETTE 3 (B643)..... 6

**PAPER CASSETTE TYPE 240 B643 PARTS INDEX PARTS INDEX ..... 2**

**TABLE TYPE 240 B662 PARTS LOCATION AND LIST**

1.TABLE TYPE 240 (B662)..... 2

**TABLE TYPE 240 B662 PARTS INDEX PARTS INDEX ..... 2**

**HARD DISK DRIVE TYPE 240 B663 PARTS LOCATION AND LIST**

1.HDD TYPE 240 (B663) ..... 2

**HARD DISK DRIVE TYPE 240 B663 PARTS INDEX PARTS INDEX ..... 2**

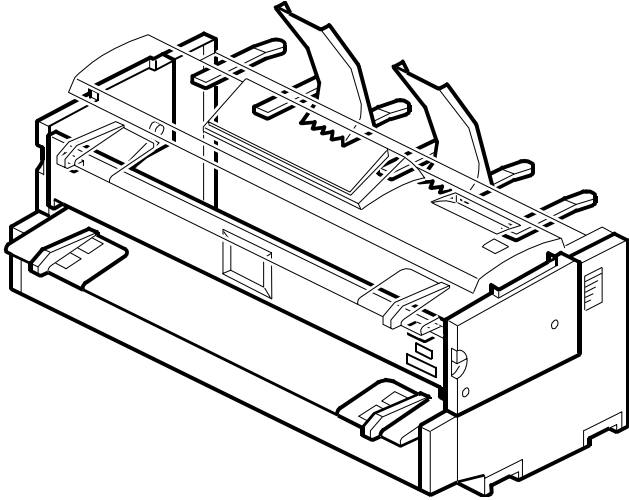
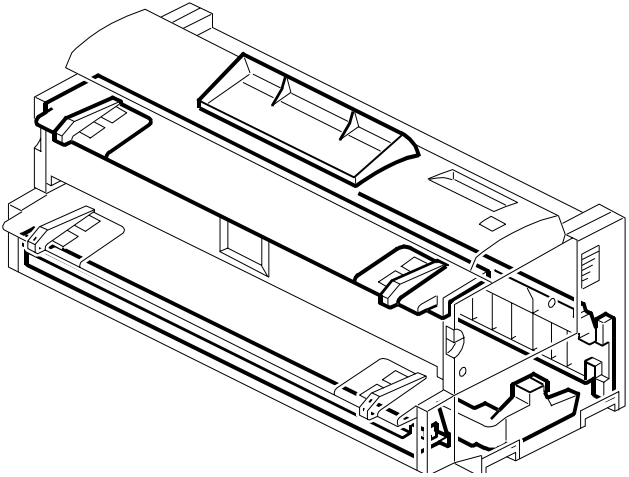
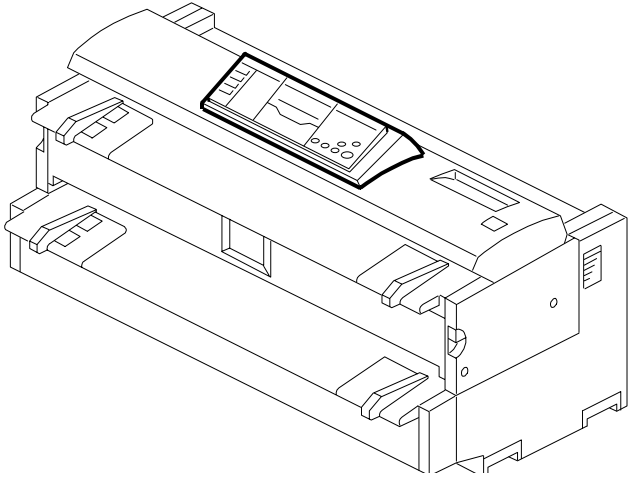
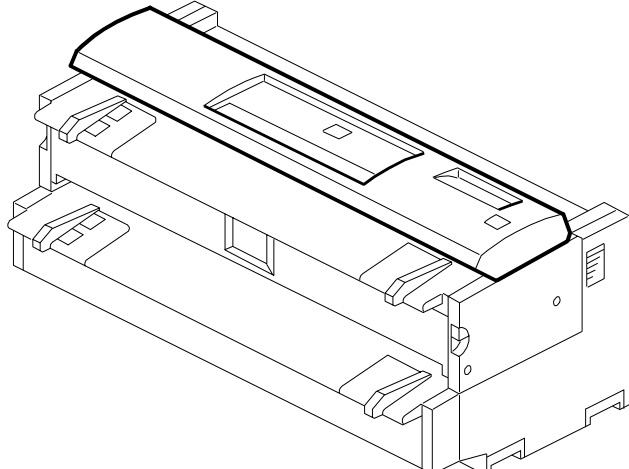
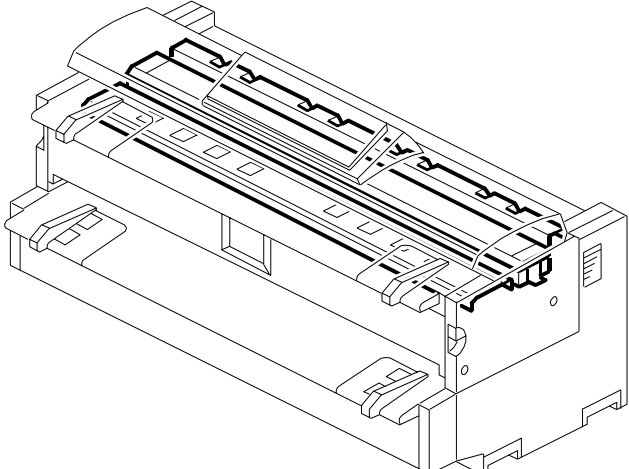
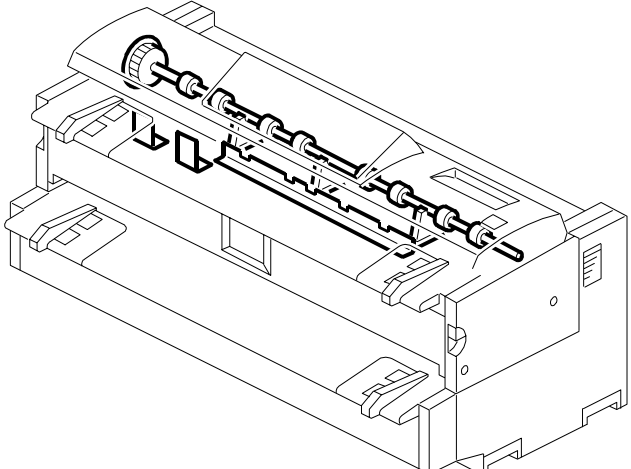
**INTERFACE PCB TYPE 240 B690 PARTS LOCATION AND LIST**

1. INTERFACE BOARD (B690)..... 2

**INTERFACE PCB TYPE 240 B690 PARTS INDEX PARTS INDEX..... 2**



## LOCATIONS OF UNITS

<p>1. Exterior 1 (B125)</p>  <p>See Page 7</p>	<p>2. Exterior 2 (B125)</p>  <p>See Page 9</p>	<p>3. Operation Panel (B125)</p>  <p>See Page 11</p>
<p>4. Scanner Section 1 (B125)</p>  <p>See Page 13</p>	<p>5. Scanner Section 2 (B125)</p>  <p>See Page 15</p>	<p>6. Scanner Section 3 (B125)</p>  <p>See Page 17</p>





# SERVICE MANUAL E-BOOK

<http://www.servicemanual-ebook.com>

EN - Thank you for downloading these sample pages.  
To obtain the complete manual please click below:

[RICOH Aficio 240W service manual](#)

DE - Dankeschön für das Herunterladen dieser Musterseiten.  
Zum Download der kompletten Anleitung klicken Sie bitte unten:

[RICOH Aficio 240W service manual](#)

ES - Gracias por descargar estas páginas de muestra.  
Para descargar el manual completo, por favor haga clic a continuación:

[RICOH Aficio 240W service manual](#)

FR - Merci d'avoir téléchargé ces pages échantillon.  
Pour télécharger le manuel complet s'il vous plaît cliquez ci-dessous:

[RICOH Aficio 240W service manual](#)

IT - Grazie per aver scaricato queste pagine di esempio.  
Per scaricare il manuale completo clicca qui sotto:

[RICOH Aficio 240W service manual](#)

NL - Bedankt voor het downloaden van deze sample pagina's.  
Voor het downloaden van de volledige handleiding kunt u hieronder klikken:

[RICOH Aficio 240W service manual](#)

PL - Dziękujemy za pobranie tych przykładowych stron.  
Aby pobrać kompletny podręcznik proszę kliknąć poniżej:

[RICOH Aficio 240W service manual](#)

PT - Obrigado por carregar essas páginas de amostra.  
Para obter o manual completo clique abaixo:

[RICOH Aficio 240W service manual](#)

RU - Благодарим Вас за загрузку этих образцов страниц.  
Чтобы получить полное руководство, пожалуйста, нажмите ниже:

[RICOH Aficio 240W service manual](#)

